

J1-94

3 Way High Output Full Range Loudspeaker



The Jericho product line stands in a class by itself. The Synergy Horn™ technology is the building block for these unique, high output single source designs but additional Danley technologies are also employed for mid and high frequency combining and low frequency loading.

The J1-94 is a single source, high output loudspeaker capable of covering very large audiences with ultra-clear and consistent audio. The coverage pattern is 90° horizontal and 40° vertical (0° on axis and -40° down). It comes standard with M10 fly points on top, bottom and the sides of the cabinet. The J1-94 is a three-way design that uses 4 amp channels: 2 for the low frequency, 1 for the mid frequency, and 1 for the high frequency. There are 15 drivers in the horn, (6) x 18" woofers in a Tapped Horn™ configuration, (6) x 6" mids and (3) x 1.4" high frequency compression drivers mated to our patented Layered High Frequency Combiner.

The 13 ply Baltic Birch used throughout the enclosure is encased in Polyurea for protection from impact and atmospheric conditions. Install and touring versions are equipped with M10 rig points. Our EW (Extreme Weather) variant offers the ultimate in protection from the elements due to the use of high-density polyurethane panels impregnated with fiberglass fibers in the place of standard plywood.

As an added layer of protection, we include our Sentinel™ high frequency driver protection circuitry which is a multistage limiter that protects the high frequency driver in the event of overloads (peaks or long term). It is inaudible during normal operation, so dynamic range is not compromised. Utilize our DNA amplifiers or processor for maximum performance and protection with industry leading DSP capabilities.

Performance Specifications

Operating Mode

Quad-amplified three-way loudspeaker (Low | Low | Mid | High)

Operating Range

47 Hz - 18 kHz +/- 3 dB

37Hz - 24 kHz -10 dB

Coverage Pattern

90° horizontal x 40° vertical (0° on axis, 40°down -6dB)

15° down angle

Transducers

LF 6 x 18", MF 6x 6", HF 3x 1.4"

Power Handling

2x Low 5000 W Cont. | 20,000 W Peak

1x Mid 1200 W Cont. | 4,800 W Peak

1x High 300 W Cont. | 2,400 W Peak

Sensitivity

Band dependent

Maximum SPL (continuous | peak)

148 dB | 154 dB

Impedance

Low 2x 2 Ohm | Mid 4 Ohm | High 4 Ohm

Recommended Power Amplifier

DNA 20K4 Pro

Physical Specifications

Connections (J1-94)

(1) Neutrik NL8 Speakon

Pin 1+/- | Low Frequency Pin 2+/- | Low Frequency

Pin 3+/- | Mid Frequency Pin 4+/- | High Frequency

Connections (J1-94-EW)

4x 2 Conductor Lead-in Wire

Mounting / Suspension Points

M10 rigging points

Dimensions / Weight

60 x 45 x 30 in. | 1520 x 1140 x 760 mm.

720 lbs

Finish

Black Polyurea Coated w/ matte black grille, or

White Polyurea Coated w/ matte white grille

Enclosure Material

24mm Baltic Birch

EW- High-density Polyurethane

Options

J1-94-B J1-94, BLACK

J1-94-EW J1-94, Extreme Weather

Accessories

J1-94-Dolly Transport dolly

BRKT-JH-OFW Outer flyware for J1-94 (not weatherised)

BRKT-J1-BB Bumper bar for J1-94 (BRKT-JH-OFW required)

Rev. 1 | 2022.03.04

J1-94

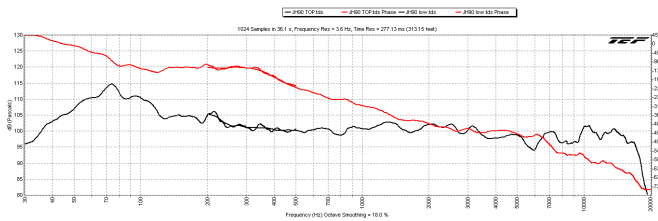
3 Way High Output Full Range Loudspeaker



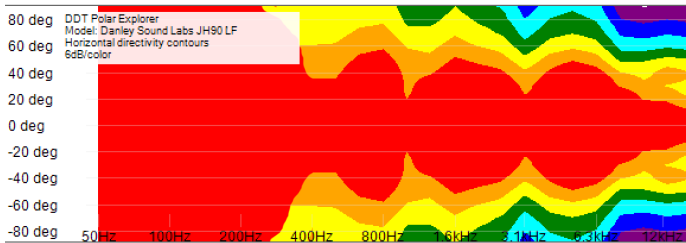
ARCHITECT/ENGINEERS SPECS

The loudspeaker shall utilize the Synergy Horn patent-pending enclosure covering three pass bands. The coverage pattern shall be 90° horizontal x 40° vertical. The loudspeaker shall have an operating range of 47 Hz – 22 kHz +/- 3 dB. Output of 148 dB SPL/154 dB SPL Peak. The loudspeaker shall be constructed of 24mm Baltic birch, water resistant Poly-urea coated, properly braced for the intended use and a rugged steel grill. The Loudspeaker shall be the Danley Sound Labs J1-94.

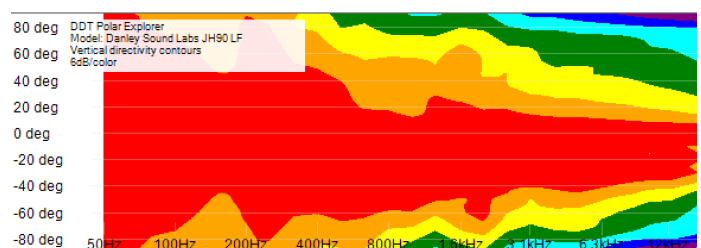
Sensitivity and Phase



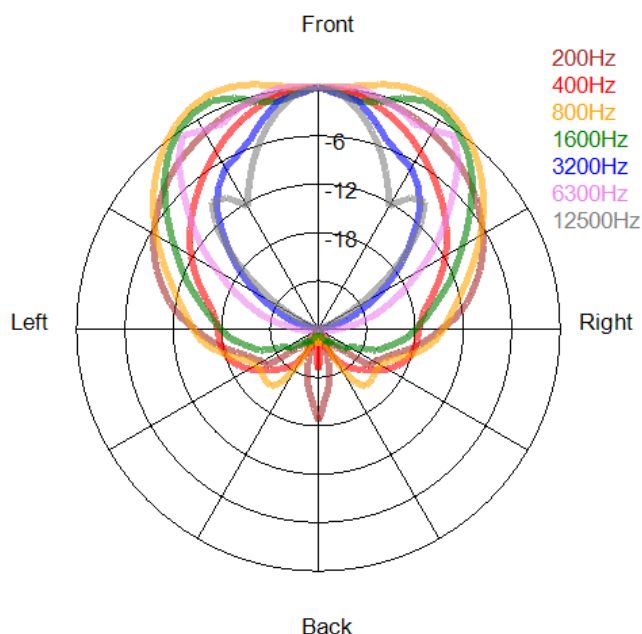
Horizontal Directivity Contours



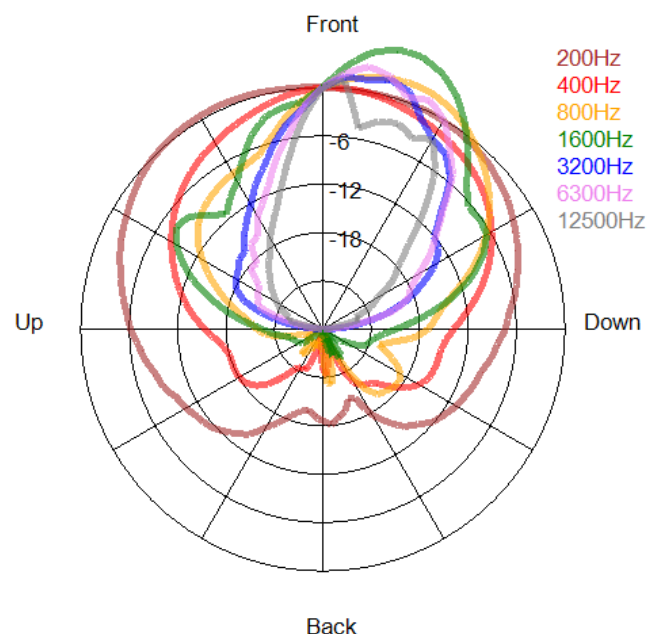
Vertical Directivity Contours



Horizontal Polar Response



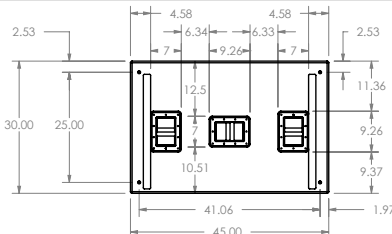
Vertical Polar Response



Rev. 1 | 2022.03.04

J1-94

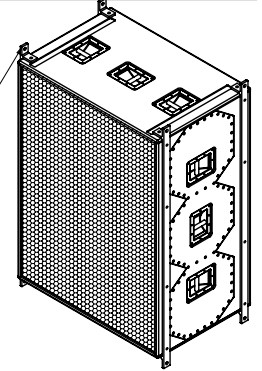
3 Way High Output Full Range Loudspeaker



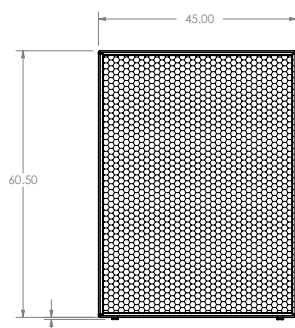
• = Attachment Point Symbol
 ⊙ = Center of Gravity Symbol

Attachment Points: SEE NOTE
 (4) on Top
 (4) on Bottom
 (8) on Rt Side
 (8) on Left Side

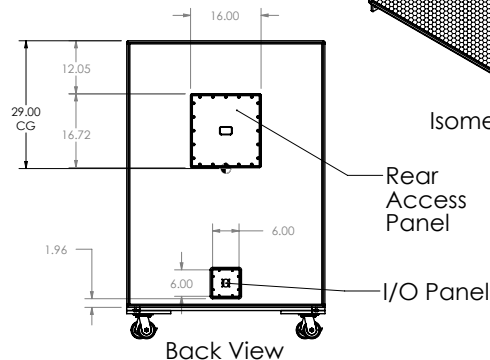
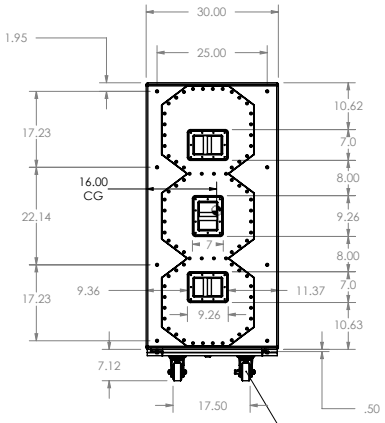
DSL Supplied Bars
 Must Be Used
 When Suspended:
 SEE NOTE



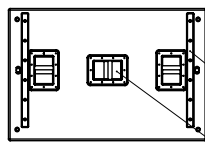
Isometric View



Front View



Back View



Bottom View

Optional Caster Board:
 2 at Rear are Locking
 Skid Runners:
 2 Places
 Handle:
 12 Places

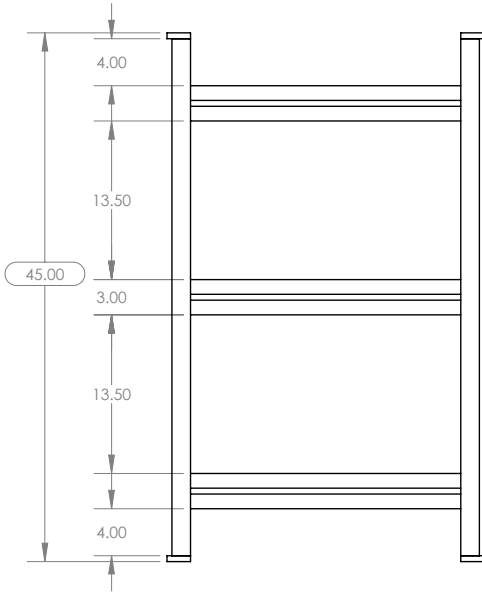
Note: Attachment Points are for securing Cabinet to External Rigging Frame. Rigging Frame shall support Cabinet such that Attachment points are not under load. Rigging Frame should carry the full load of this cabinet. Attachment points are for securing cabinet to the inside of External Rigging Frame. Attachment points are not to be used for suspension of this cabinet.

J1-94

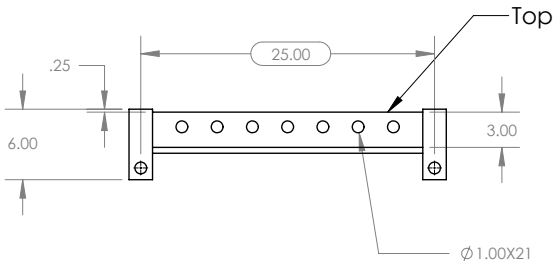
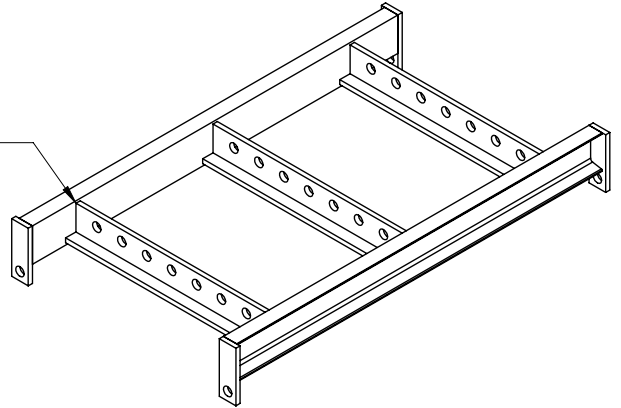
3 Way High Output Full Range Loudspeaker



BRKT-J1-BB



Note: .25" Spacing
Top and Bottom



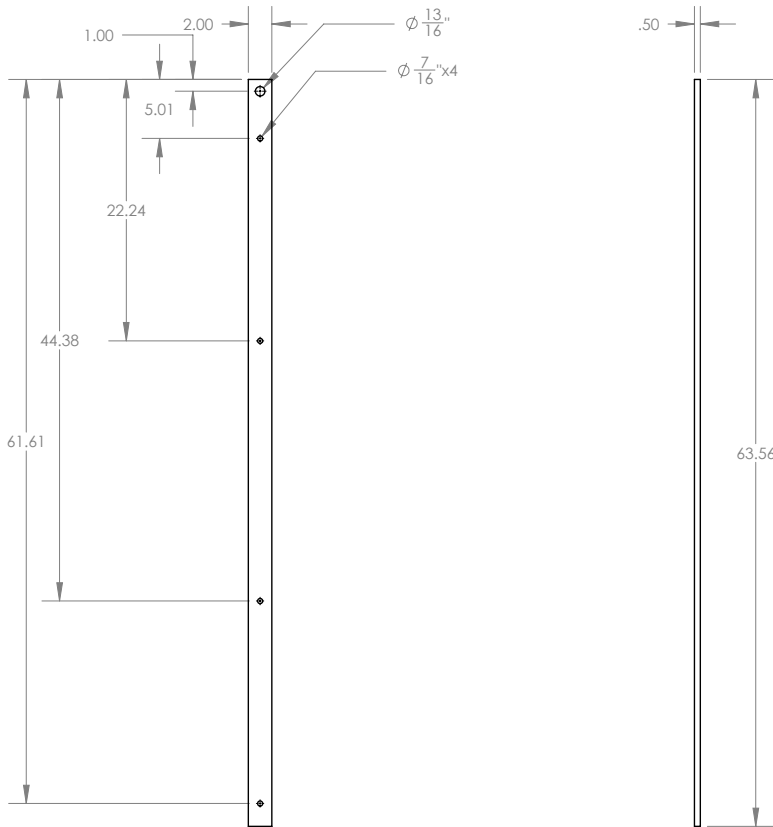
Rev. 1 | 2022.03.04

J1-94

3 Way High Output Full Range Loudspeaker



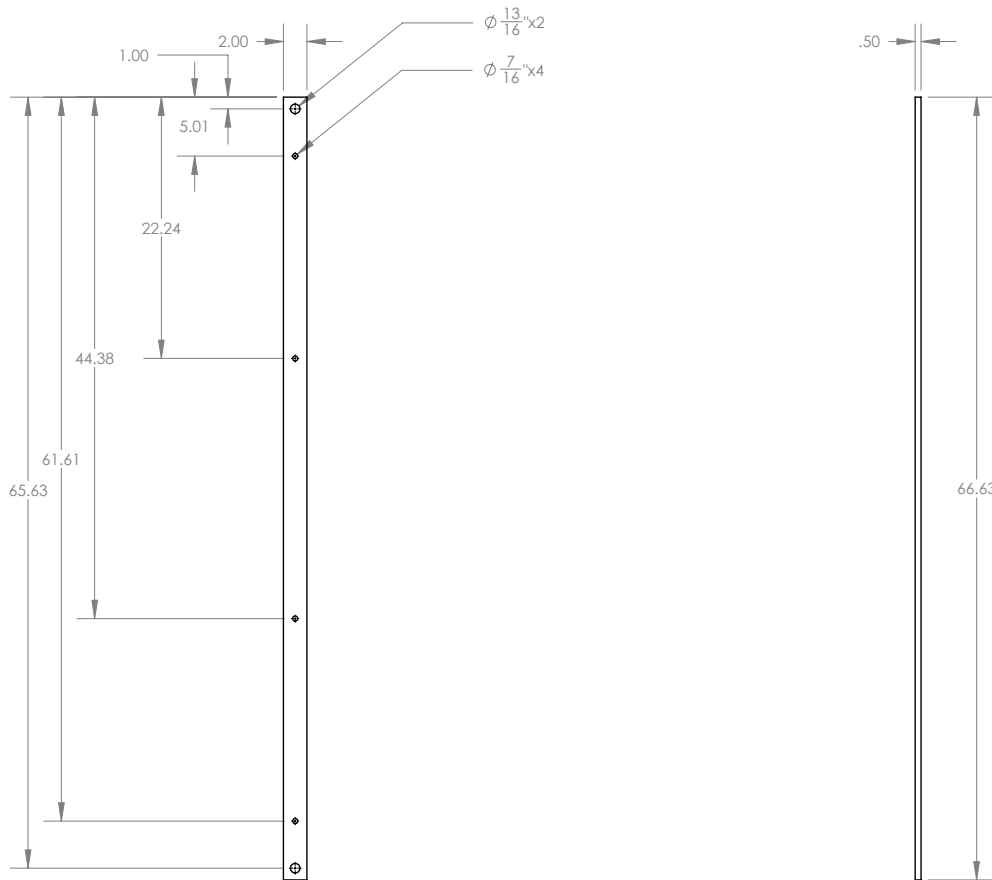
BRKT-JH-OFW



Rev. 1 | 2022.03.04

J1-94

3 Way High Output Full Range Loudspeaker



Rev. 1 | 2022.03.04