

J8-94

3 Way High Output Full Range Loudspeaker



The Jericho product line stands in a class by itself. The Synergy Horn™ technology is the building block for these unique, high-output, single source designs. However, additional Danley technologies are also employed for mid and high frequency combining and low frequency loading.

The J8-94 is built from the same architecture as the J7, utilizing a remarkably high driver density. 46 drivers are connected to a single horn with the (24) x 1" compression drivers mated to a fifth-generation high frequency combiner, (10) x 10" horn loaded low frequency drivers and (12) x 6" horn loaded mid-range drivers all result in excellent response in both magnitude and phase while doing so at astounding output capabilities.

The 13 ply Baltic Birch used throughout the enclosure is encased in PolyUrea for protection from impact and atmospheric conditions. Install and touring versions are equipped with M10 rig points. Our EW (Extreme Weather) variant offers the ultimate in protection from the elements due to the use of high-density polyurethane panels impregnated with fiberglass fibers in the place of standard plywood.

The J8-94 offers single or dual amp mode, utilizing either one or two DNA20K4-Pro allows the loudspeaker to have a redundancy that operates the loudspeaker if one amplifier ever fails. As an added layer of protection, we include our Sentinel™ high frequency driver protection circuitry which is a multistage limiter that protects the high frequency driver in the event of overloads (peaks and long term). It is inaudible during normal operation, so dynamic range is not compromised.

Performance Specifications

Operating Mode

4 or 8 channel three-way loudspeaker (Low | Low | Mid | High)

Operating Range

63 Hz - 11 kHz +/- 3 dB | 49 Hz - 12.8 Khz -10 dB

Coverage Pattern

90° horizontal x 40° vertical

Transducers

LF 10x 10", MF 12x 6", HF 24x 1"

Power Handling

Low **2x** 3500 W Cont. | 14,000 W Peak | Low **4x** 2100 W Cont. | 8400 W Peak
Mid **1x** 2400 W Cont. | 9600 W Peak | Mid **2x** 1200 W Cont. | 4800 W Peak
High **1x** 1440 W Cont. | 5760 W Peak | High **2x** 720 W Cont. | 2880 W Peak

Sensitivity

Low 119dB | Mid 120dB | High 119dB (measured as 28.3V @10m)

Maximum Music Output

153 dB | wholespace measurement

Maximum Linear Peak Output (*M noise)

149 dB | 14 dB crest factor wholespace measurement

Impedance

Low 2x 2 Ohm or 4x 4 Ohm
Mid 1x 4 Ohm or 2x 8 Ohm
High 1x 4 Ohm or 2x 8 Ohm

Physical Specifications

Connections (J8-94)

2x Neutrik NL8 Speakon for 4 or 8 channel mode

Pin 1+/- | Low Frequency Pin 2+/- | Low Frequency

Pin 3+/- | Mid Frequency Pin 4+/- | High Frequency

Connections (J8-94-EW)

4x or 8x 2 Conductor Lead-in Wire

Mounting / Suspension Points

M10 rigging points

Dimensions / Weight

60 x 24 x 24 in | 1524 x 610 x 610 mm

480 lbs | 218 kg

Finish

Black polyurea coated enclosure w/ matte black grille

White polyurea coated enclosure w/ matte white grille

Gray UV resistant coated enclosure w/ matte grey grille

Enclosure Material

18mm Baltic Birch, polyurea coated

18mm high-density polyurethane

Options

J8-94

J8-94-EW J8-94, Extreme Weather

Accessories

J8-94-DOLLY Transport dolly

BRKT-J8BB-B J8 Bumper Bar, BLACK

BRKT-J8BB-C J8 Bumper Bar, Custom Color

BRKT-J8BB-W J8 Bumper Bar, WHITE

*M noise is a new AES test signal/procedure which defines SPL a loudspeaker will produce, while maintaining linearity.

Rev 220418.2

J8-94

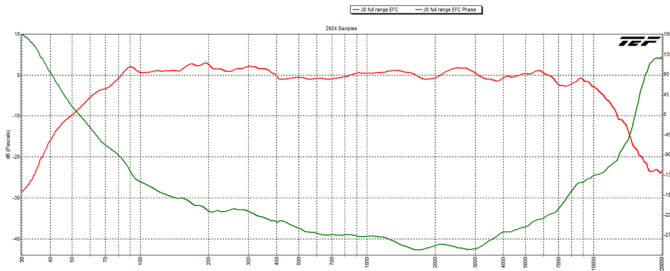
3 Way High Output Full Range Loudspeaker



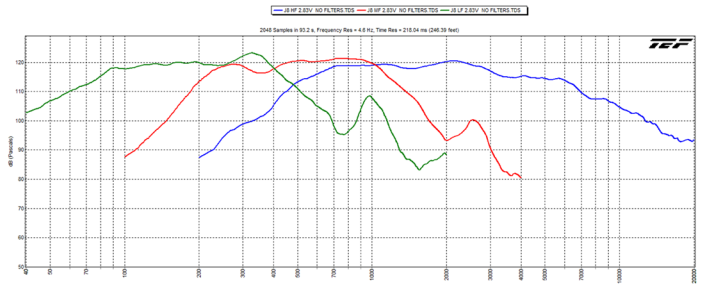
ARCHITECT/ENGINEERS SPECS

The loudspeaker shall utilize the synergy horn enclosure. The loudspeaker shall have an operating range of 49Hz -13KHz. Sensitivity of low section shall be 119 dB SPL, mid section 120 dB SPL and high section 119 dB SPL (measured at 28.3V @10m distance). Output shall be 153 dB Peak. Low frequency power handling shall be 3500W continuous and 14,000W peak per channel on two amplified channels or 2100W continuous and 8400W peak per channel on four amplified channels. Midrange frequency power handling shall be 2400W continuous and 9600W peak per channel on one amplified channel or 1200W continuous, 4800W peak per channel on two amplified channels. High frequency power handling shall be 1440W continuous and 5760W peak per channel on one amplified channel or 720W continuous, 2880W peak per channel on two amplified channels. Recommended DSP amplifier shall be the Danley Sound Labs DNA 20K4 Pro x1 or x2. The loudspeaker shall be constructed of 13 ply, 18mm Baltic Birch, polyurea coated. The loudspeaker shall be the Danley Sound Labs J8-94.

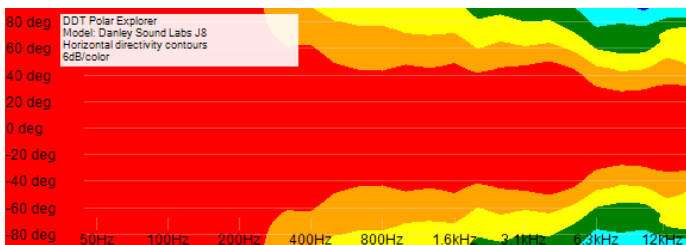
Processed Sensitivity



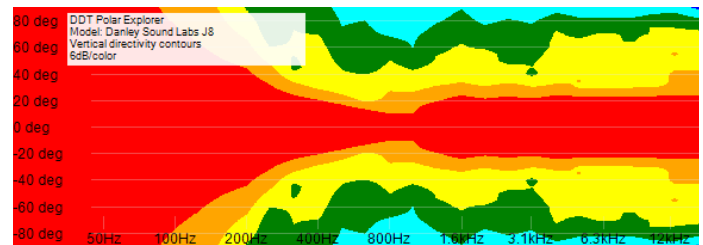
Unprocessed Sensitivity



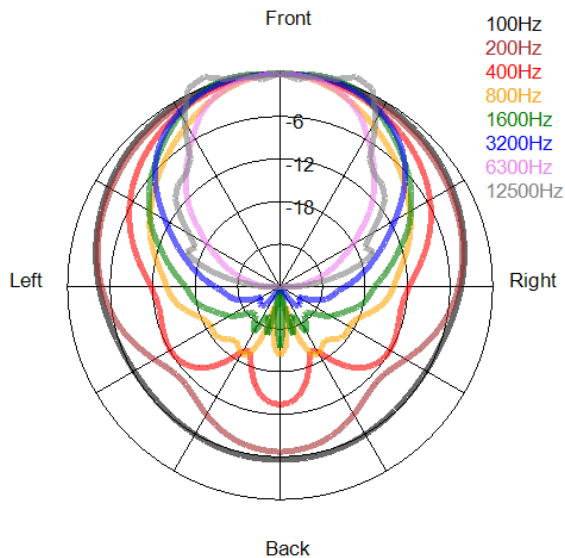
Horizontal Directivity Contours



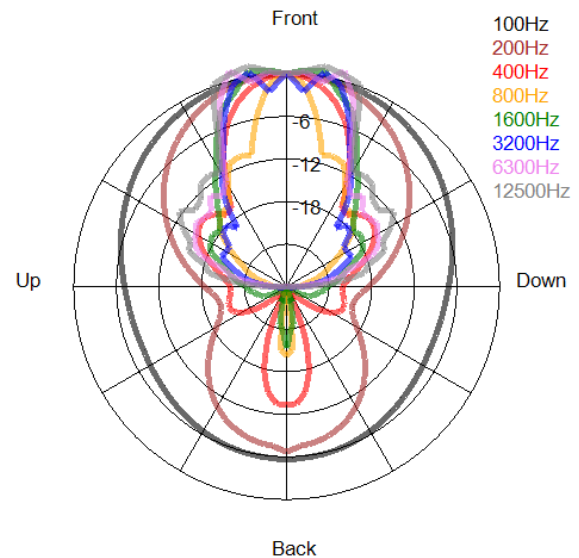
Vertical Directivity Contours



Horizontal Polar Response



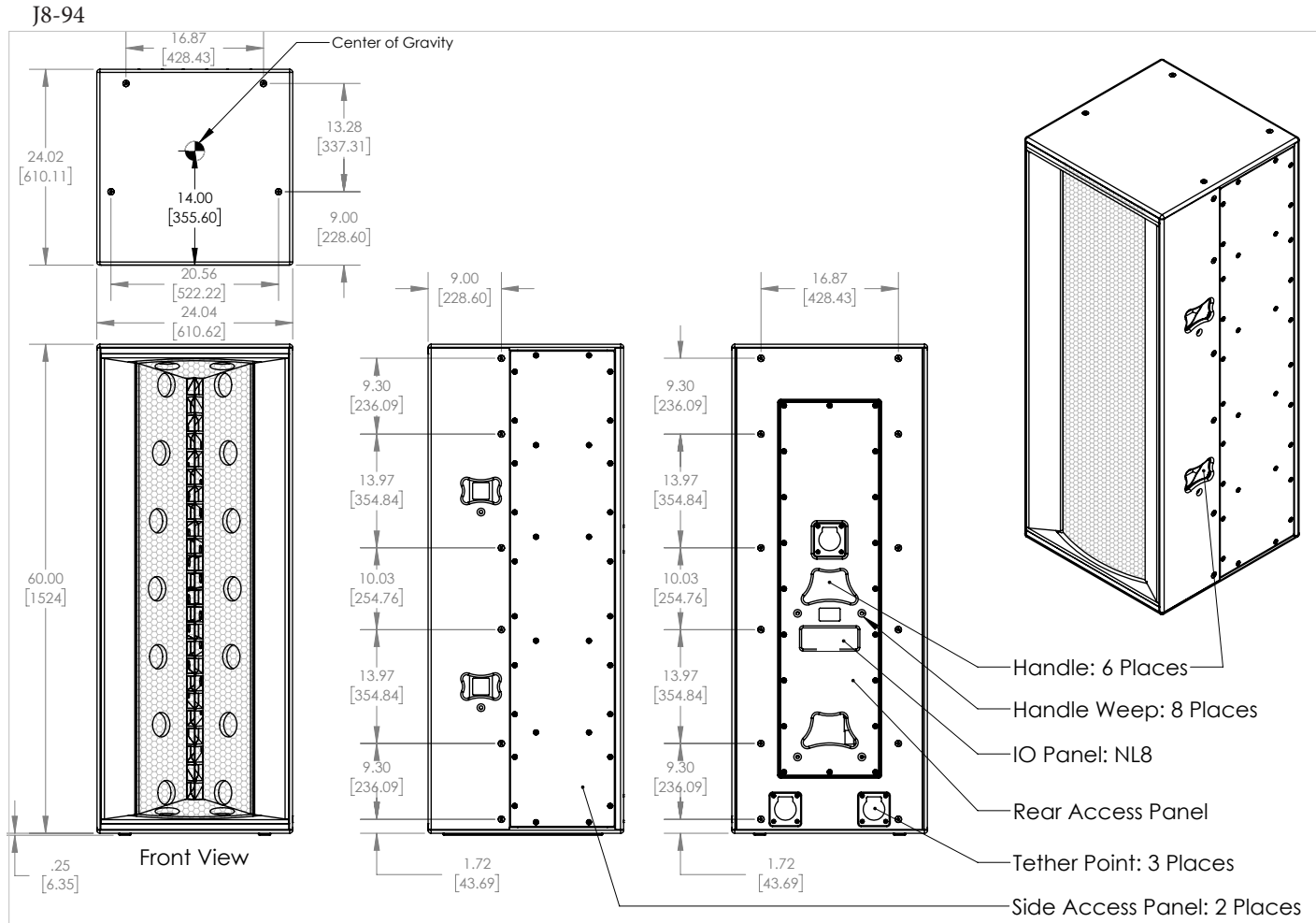
Vertical Polar Response



Rev 220418.2

J8-94

3 Way High Output Full Range Loudspeaker



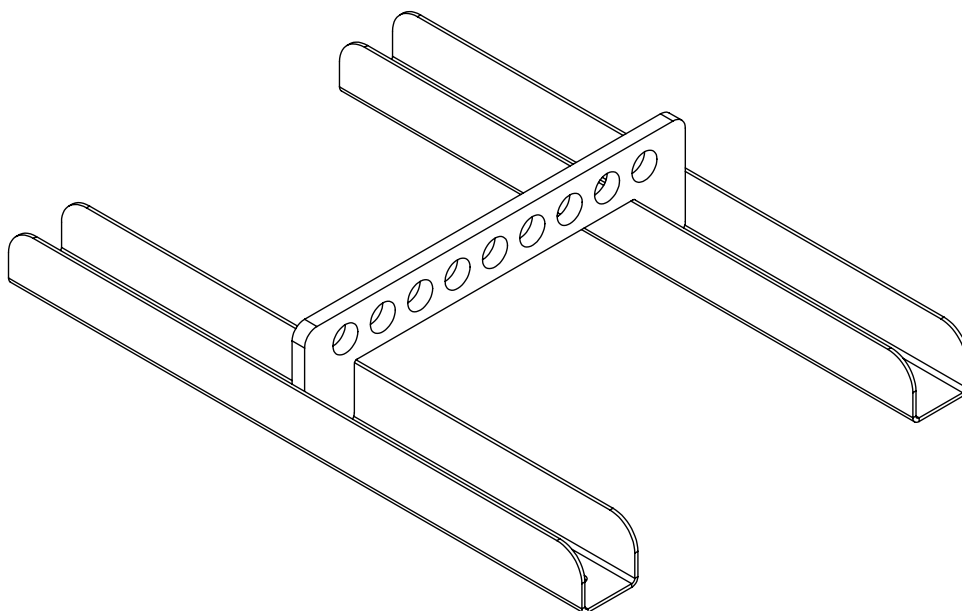
Rev 220418.2

J8-94

3 Way High Output Full Range Loudspeaker



BRKT-J8BB



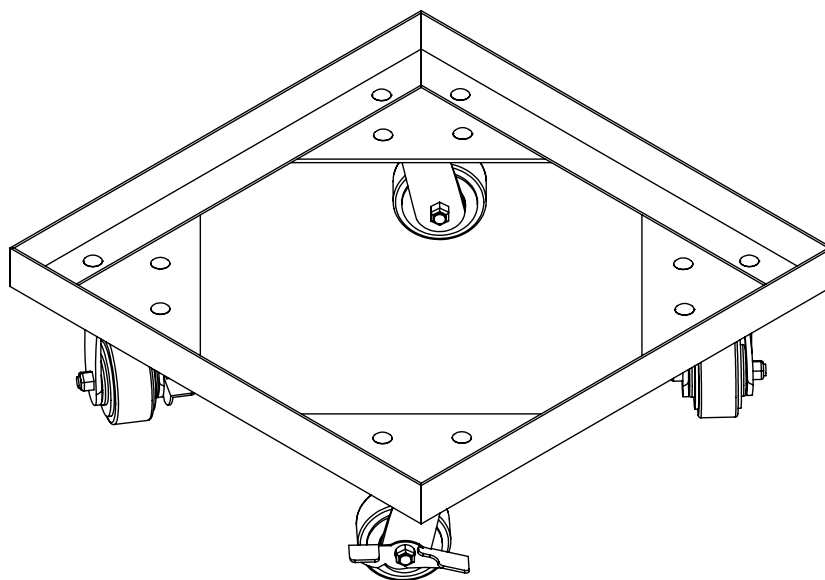
Rev 220418.2

J8-94

3 Way High Output Full Range Loudspeaker



J8-94-DOLLY



Rev 220418.2